

NEPTUNE



LEAK-FREE SHOWER PODS

NEPTUNELEAKFREE.COM



LEAK-FREE SHOWER PODS

We are Ireland's leading manufacturer of *Leak-Free, Maintenance-Free Shower Pods*, combining innovative technology with superior engineering.

Our shower pods offer a *leakproof guarantee*, providing a complete, Maintenance-Free solution for all your showering needs. For over 10 years, we have been the preferred choice for Landlords, Architects, Commercial Designers, and Facilities Managers.

Crafted from durable GRP, Neptune shower pods are an attractive, hard wearing solution that enhances any bathroom with their long-lasting high gloss finish.

LEAK-FREE, MAINTENANCE-FREE SHOWER PODS

Ideal for Residential, Commercial, and Facilities Management applications.

NEPTUNE

LEAK-FREE FOR LIFE.



**SHOWERING
WITH ABSOLUTE
PEACE OF MIND**



Neptune Pod shown with III Offset Quadrant Left Hand in Matte Black



CONTENTS

9	LEAK-FREE FOR LIFE
11	WHAT IS IT MADE FROM?
12	QUADRANT PODS
16	SQUARE & RECTANGLE PODS
18	ALCOVE PODS
20	PRODUCT INDEX WITH MATCHING SHOWER DOORS
26	TECHNICAL POD DRAWINGS
32	WHAT ARE NEPTUNE SHOWER PODS
33	FREQUENTLY ASKED QUESTIONS

NEPTUNE



Our **advanced technology** and **superior engineering** offer a comprehensive *showering solution* with a *leakproof guarantee*, providing you with **peace of mind** and ultimate convenience.

LEAK-FREE FOR LIFE

- ✓ **Strong & Durable**
- ✓ **Anti-bacterial**
- ✓ **Easy to Install**
- ✓ **Fitted to Walls**
- ✓ **Completely Encapsulated**
- ✓ **No Tiling**
- ✓ **No Grouting**
- ✓ **No Staining**
- ✓ **No Mould**
- ✓ **No Limescale Build-up**



WHAT IS IT MADE FROM?

Layer 1 - Isophthalic Anti Bacterial Coating

Offers exceptional strength, easy cleaning, high heat resistance, and outstanding corrosion protection.

Layer 2 - High-Grade GRP

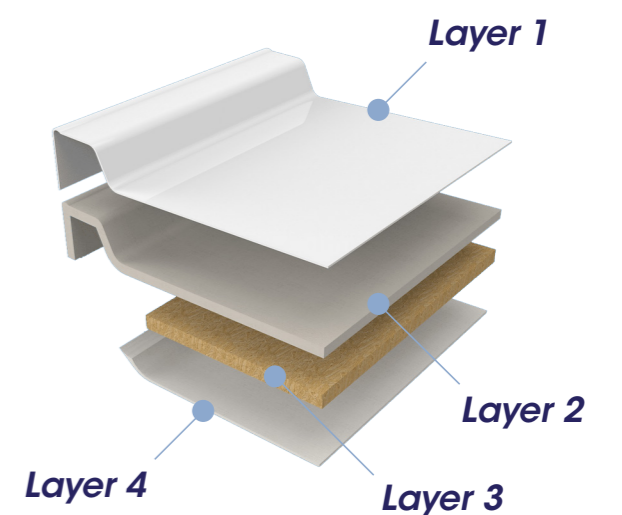
(Glass Reinforced Polymer) - The same material used in yachts, ensuring years of water resistant, trouble free use.

Layer 3 - Resin-Infused Particle Board

Adds rigidity and strength, allowing direct attachment of accessories without wall penetration.

Layer 4 - GRB Encapsulation

Completely seals the unit, making it moisture-proof for lasting durability.



QUADRANT & OFFSET QUADRANT

**NO LEAKS
GUARANTEED!**

NEPTUNE - QUADRANT PODS (TO SUIT 1 DOOR)

DESCRIPTION (mm)	HEIGHT (mm)	CODE
800 x 800	2080	NS2Q800x800CW
900 x 900	2080	NS2Q900x900CW
1000 x 1000	2070	NS2Q1000x1000CW

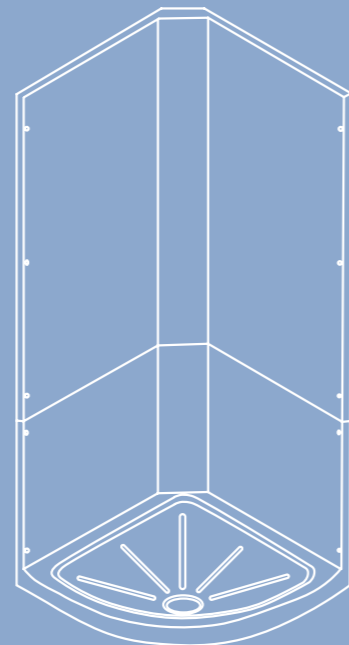
NEPTUNE - OFFSET QUADRANT PODS (TO SUIT 1 DOOR)

DESCRIPTION (mm)	HAND	HEIGHT (mm)	CODE
1000 x 800	LEFT	2060	NS2Q1000x800LHCW
1000 x 800	RIGHT	2060	NS2Q1000x800RHCW
1200 x 800	LEFT	2100	NS2Q1200x800LHCW
1200 x 800	RIGHT	2100	NS2Q1200x800RHCW
1200 x 900	LEFT	2065	NS2Q1200x900LHCW
1200 x 900	RIGHT	2065	NS2Q1200x900RHCW

For Offset Pods - choose the handing to suit your room.
Shower doors are sold and priced separately to Neptune Pods.
90mm high flow Chrome waste included as standard with all pods. see page 25 for alternative colours.



ABOVE: Shown with VERVE 1 Door Quadrant Left Hand in Silver
OPPOSITE: Shown with VERVE 1 Door Quadrant Right Hand in Matte Black



**SEE PAGES 26-28
FOR TECHNICAL
& SPECIFICATION**

SEE PAGES 20 & 21 FOR DOOR OPTIONS.



QUADRANT & OFFSET QUADRANT

**NO LEAKS
GUARANTEED!**

NEPTUNE - QUADRANT PODS (WILL SUIT ONE DOOR OR TWO DOOR)

DESCRIPTION (mm)	HEIGHT (mm)	CODE
800 x 800	2080	NS2Q800x800CW
900 x 900	2080	NS2Q900x900CW

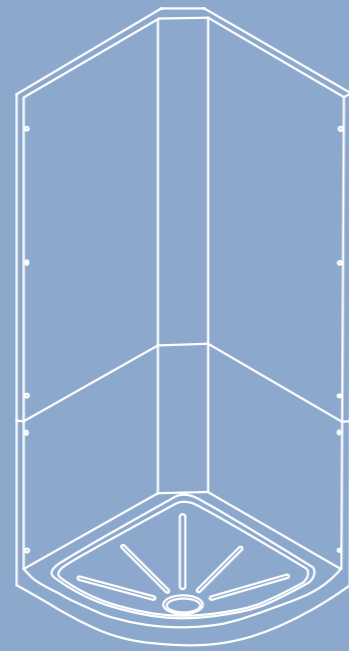
NEPTUNE - OFFSET QUADRANT PODS (WILL SUIT ONE DOOR OR TWO DOOR)

DESCRIPTION (mm)	HAND	HEIGHT (mm)	CODE
1000 x 800	LEFT	2060	NS2Q1000x800LHCW
1000 x 800	RIGHT	2060	NS2Q1000x800RHCW
1200 x 800	LEFT	2100	NS2Q1200x800LHCW
1200 x 800	RIGHT	2100	NS2Q1200x800RHCW
1200 x 900	LEFT	2065	NS2Q1200x900LHCW
1200 x 900	RIGHT	2065	NS2Q1200x900RHCW

For Offset Pods - choose the handing to suit your room.
Shower doors are sold and priced separately to Neptune Pods.
90mm high flow Chrome waste included as standard with all pods. see page 25 for alternative colours.



ABOVE: Shown with SLIMLINE CAPELLA 2 Door Quadrant in Silver
OPPOSITE: Shown with VERVE 2 Door Quadrant in Silver



**SEE PAGES 26-28
FOR TECHNICAL
& SPECIFICATION**

SEE PAGES 20 & 21 FOR DOOR OPTIONS.



SQUARE & RECTANGLE

**NO LEAKS
GUARANTEED!**

NEPTUNE - SQUARE CORNER PODS

DESCRIPTION (mm)	HEIGHT (mm)	CODE
800 x 800	2100	NS2S800x800CW
900 x 900	2080	NS2S900x900CW

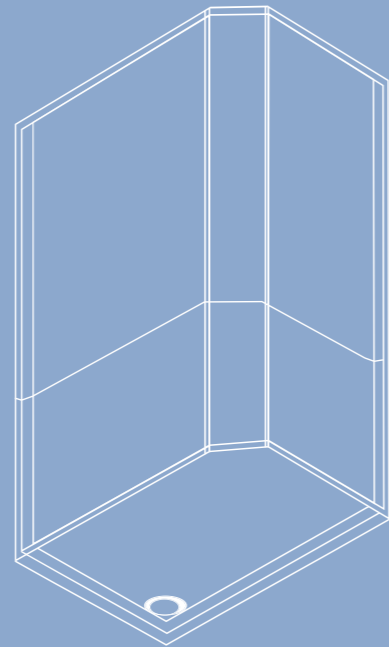
NEPTUNE - RECTANGLE CORNER PODS

DESCRIPTION (mm)	HAND	HEIGHT (mm)	CODE
1200 x 800	LEFT	2060	NS2R1200x800LHCW
1200 x 800	RIGHT	2060	NS2R1200x800RHCW
1200 x 900	LEFT	2080	NS2R1200x900LHCW
1200 x 900	RIGHT	2080	NS2R1200x900RHCW

For Rectangle Corner Pods - choose the handing to suit your room.
Shower doors are sold and priced separately to Neptune Pods.
90mm high flow Chrome waste included as standard with all pods. see page 25 for alternative colours.



ABOVE: Shown with VERVE Slider with Side Panel in Silver
OPPOSITE: Shown with VERVE Slider with Side Panel in Matte Black



**SEE PAGES 29-30
FOR TECHNICAL
& SPECIFICATION**

SEE PAGES 22 & 23 FOR DOOR OPTIONS.



ALCOVES

**NO LEAKS
GUARANTEED!**

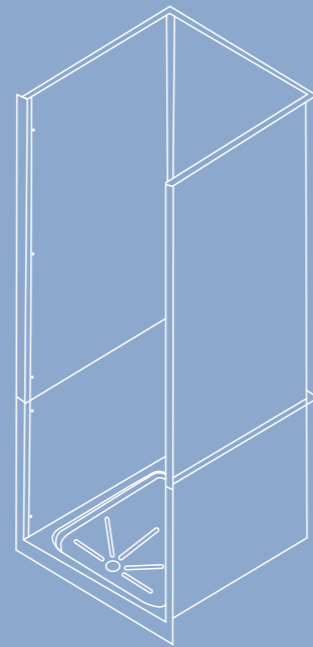
NEPTUNE - ALCOVE PODS

DESCRIPTION (mm)	HEIGHT (mm)	CODE
800 x 800 3 SIDED ALCOVE	2145	NS3ALC800x800CW
900 x 900 3 SIDED ALCOVE	2070	NS3ALC900x900CW
1000 x 800 3 SIDED ALCOVE	2065	NS3ALC1000x800CW
1200 x 800 3 SIDED ALCOVE	2085	NS3ALC1200x800CW

Shower doors are sold and priced separately to Neptune Pods.
90mm high flow Chrome waste included as standard with all pods. see page 25 for alternative colours.



ABOVE: Shown with VERVE Pivot Door 760 in Silver
OPPOSITE: Shown with SLIMLINE CAPELLA Slider Door 1200 in Silver



**SEE PAGE 31
FOR TECHNICAL
& SPECIFICATION**

SEE PAGE 24 FOR DOOR OPTIONS.



NEPTUNE & FLAIR - PRODUCT LISTINGS

NEPTUNE - QUADRANT PODS

NEPTUNE DESCRIPTION (mm)	HEIGHT (mm)	CODE		
800 x 800 QUADRANT	2080	NS2Q800x800CW		
FLAIR COLLECTION	DESCRIPTION	CODE SILVER	CODE MATTE BLACK	CODE BRUSHED BRASS
HYDRO EXPRESS	2 DOOR 800 SLIDING	HYCQ80SC	-	-
VERVE PRO	2 DOOR 800 SLIDING	VCQ80SC	-	-
VERVE PRO	1 DOOR 800 SLIDING	VOCQ80SC	-	-
SLIMLINE CAPELLA	2 DOOR 800 SLIDING	STCQ80SC	-	-

NEPTUNE DESCRIPTION (mm)	HEIGHT (mm)	CODE		
900 x 900 QUADRANT	2080	NS2Q900x900CW		
FLAIR COLLECTION	DESCRIPTION	CODE SILVER	CODE MATTE BLACK	CODE BRUSHED BRASS
HYDRO EXPRESS	2 DOOR 900 SLIDING	HYCQ90SC	-	-
VERVE PRO	2 DOOR 900 SLIDING	VCQ90SC	-	-
VERVE PRO	1 DOOR 900 SLIDING	VOCQ90SC	VOCQ90BC	-
SLIMLINE CAPELLA	2 DOOR 900 SLIDING	STCQ90SC	-	-
ILI	1 DOOR 900 SLIDING	ILICQ90SC	ILICQ90BC	ILICQ90BRBC

NEPTUNE DESCRIPTION (mm)	HEIGHT (mm)	CODE		
1000 x 1000 QUADRANT	2070	NS2Q1000x1000CW		
FLAIR COLLECTION	DESCRIPTION	CODE SILVER	CODE MATTE BLACK	CODE BRUSHED BRASS
VERVE PRO	1 DOOR 1000 SLIDING	VOCQ100SC	VOCQ100BC	-
SLIMLINE CAPELLA	2 DOOR 1000 SLIDING	STCQ100SC	-	-



Neptune Pod shown with SLIMLINE CAPELLA 2 Door 900 Quadrant in Silver - CODE: STCQ90SC



Neptune Pod shown with VERVE 1 Door 900 Quadrant Left Hand in Matte Black - CODE: VOCQ90BC

Shower doors are sold and priced separately to Neptune Pods.
90mm high flow Chrome waste included as standard with all pods. See page 25 for alternative colours.

NEPTUNE & FLAIR - PRODUCT LISTINGS

NEPTUNE - OFFSET QUADRANT PODS

NEPTUNE DESCRIPTION (mm)	HAND (mm)	HEIGHT	CODE	
1000 x 800 OFFSET QUADRANT	LEFT	2060	NS2Q1000x800LHCW	
1000 x 800 OFFSET QUADRANT	RIGHT	2060	NS2Q1000x800RHCW	
FLAIR COLLECTION	DESCRIPTION	CODE SILVER	CODE MATTE BLACK	CODE BRUSHED BRASS
HYDRO EXPRESS	2 DOOR 1000x800 SLIDING	HYCQ80X100SC	-	-
VERVE PRO	2 DOOR 1000x800 SLIDING	VCQ80X100SC	-	-
VERVE PRO	1 DOOR 1000x800 SLIDING	VOCQ80X100SC	VOCQ80X100BC	-
SLIMLINE CAPELLA	2 DOOR 1000x800 SLIDING	STCQ80X100SC	-	-
ILI	1 DOOR 1000x800 SLIDING	ILICQ80X100SC	ILICQ80X100BC	-

NEPTUNE DESCRIPTION (mm)	HAND (mm)	HEIGHT	CODE	
1200 x 800 OFFSET QUADRANT	LEFT	2100	NS2Q1200x800LHCW	
1200 x 800 OFFSET QUADRANT	RIGHT	2100	NS2Q1200x800RHCW	
FLAIR COLLECTION	DESCRIPTION	CODE SILVER	CODE MATTE BLACK	CODE BRUSHED BRASS
HYDRO EXPRESS	2 DOOR 1200x800 SLIDING	HYCQ80X120SC	-	-
VERVE PRO	2 DOOR 1200x800 SLIDING	VCQ80X120SC	-	-
VERVE PRO	1 DOOR 1200x800 SLIDING	VOCQ80X120SC	VOCQ80X120BC	-
SLIMLINE CAPELLA	2 DOOR 1200x800 SLIDING	STCQ80X120SC	-	-
ILI	1 DOOR 1200x800 SLIDING	ILICQ80X120SC	ILICQ80X120BC	ILICQ80X120BRBC

NEPTUNE DESCRIPTION (mm)	HAND (mm)	HEIGHT	CODE	
1200 x 900 OFFSET QUADRANT	LEFT	2065	NS2Q1200x900LHCW	
1200 x 900 OFFSET QUADRANT	RIGHT	2065	NS2Q1200x900RHCW	
FLAIR COLLECTION	DESCRIPTION	CODE SILVER	CODE MATTE BLACK	CODE BRUSHED BRASS
HYDRO EXPRESS	2 DOOR 1200x900 SLIDING	HYCQ90X120SC	-	-
VERVE PRO	2 DOOR 1200x900 SLIDING	VCQ90X120SC	-	-
VERVE PRO	1 DOOR 1200x900 SLIDING	VOCQ90X120SC	VOCQ90X120BC	-
SLIMLINE CAPELLA	2 DOOR 1200x900 SLIDING	STCQ90X120SC	-	-
ILI	1 DOOR 1200x900 SLIDING	ILICQ90X120SC	ILICQ90X120BC	ILICQ90X120BRBC

Shower doors are sold and priced separately to Neptune Pods.
90mm high flow Chrome waste included as standard with all pods. See page 25 for alternative colours.

NEPTUNE & FLAIR - PRODUCT LISTINGS

NEPTUNE - SQUARE CORNER PODS

NEPTUNE DESCRIPTION (mm)		HEIGHT (mm)	CODE		
800 x 800 SQUARE		2100	NS2S800x800CW		
FLAIR COLLECTION	DOOR DESCRIPTION	CODE SILVER	CODE MATTE BLACK	CODE BRUSHED BRASS	
HYDRO EXPRESS REQUIRES SIDE PANEL	BIFOLD 800 FRAMELESS SIDE PANEL	HYBF80SC HYP80SC	- -	-	
HYDRO EXPRESS REQUIRES SIDE PANEL	PIVOT 800 FRAMELESS SIDE PANEL	HYPD80SC HYP80SC	- -	-	
HYDRO EXPRESS	CORNER ENTRY 800	HYCE80SC	-	-	
VERVE PRO REQUIRES SIDE PANEL	BIFOLD 800 FRAMELESS SIDE PANEL	VBF80SC VSP80SC	VBF80BC VSP80BC	-	
VERVE PRO REQUIRES SIDE PANEL	PIVOT 800 FRAMELESS SIDE PANEL	VPD80SC VSP80SC	VBF80BC VSP80BC	-	
VERVE PRO	CORNER ENTRY 800	VCE80SSC	VCE80SBC	-	
SLIMLINE CAPELLA REQUIRES SIDE PANEL	BIFOLD 800 FRAMELESS SIDE PANEL	STBF80SC STSP80SC	- -	-	
SLIMLINE CAPELLA REQUIRES SIDE PANEL	PIVOT 800 FRAMELESS SIDE PANEL	STPD80SC STSP80SC	- -	-	
SLIMLINE CAPELLA	CORNER ENTRY 800	STCE80SC	-	-	
ILI REQUIRES SIDE PANEL	BIFOLD 800 FRAMELESS SIDE PANEL	ILBF80SC ILSP80SC	ILBF80BC ILSP80BC	ILIBF80BRBC ILISP80BRBC	
ILI REQUIRES SIDE PANEL	HINGE 800 FRAMELESS SIDE PANEL	ILHD80SC ILSP80SC	ILHD80BC ILSP80BC	-	

NEPTUNE DESCRIPTION (mm)		HEIGHT (mm)	CODE		
900 x 900 SQUARE		2080	NS2S900x900CW		
FLAIR COLLECTION	DOOR DESCRIPTION	CODE SILVER	CODE MATTE BLACK	CODE BRUSHED BRASS	
HYDRO EXPRESS REQUIRES SIDE PANEL	BIFOLD 900 FRAMELESS SIDE PANEL	HYBF90SC HYP90SC	- -	-	
HYDRO EXPRESS REQUIRES SIDE PANEL	PIVOT 900 FRAMELESS SIDE PANEL	HYPD90SC HYP90SC	- -	-	
HYDRO EXPRESS	CORNER ENTRY 900	HYCE90SC	-	-	
VERVE PRO REQUIRES SIDE PANEL	BIFOLD 900 FRAMELESS SIDE PANEL	VBF90SC VSP90SC	VBF90BC VSP90BC	-	
VERVE PRO REQUIRES SIDE PANEL	PIVOT 900 FRAMELESS SIDE PANEL	VPD90SC VSP90SC	VPD90BC VSP90BC	-	
VERVE PRO	CORNER ENTRY 900	VCE90SSC	VCE90SBC	-	
SLIMLINE CAPELLA REQUIRES SIDE PANEL	BIFOLD 900 FRAMELESS SIDE PANEL	STBF90SC STSP90SC	- -	-	
SLIMLINE CAPELLA REQUIRES SIDE PANEL	PIVOT 900 FRAMELESS SIDE PANEL	STPD90SC STSP90SC	- -	-	
SLIMLINE CAPELLA	CORNER ENTRY 900	STCE90SC	-	-	
ILI REQUIRES SIDE PANEL	BIFOLD 900 FRAMELESS SIDE PANEL	ILBF90SC ILSP90SC	ILBF90BC ILSP90BC	ILIBF90BRBC ILISP90BRBC	
ILI REQUIRES SIDE PANEL	HINGE 900 FRAMELESS SIDE PANEL	ILHD90SC ILSP90SC	ILHD90BC ILSP90BC	-	

Shower doors are sold and priced separately to Neptune Pods.
90mm high flow Chrome waste included as standard with all pods. See page 25 for alternative colours.

NEPTUNE & FLAIR - PRODUCT LISTINGS

NEPTUNE - RECTANGLE CORNER PODS

NEPTUNE DESCRIPTION (mm)		HAND (mm)	HEIGHT	CODE	
1200 x 800 RECTANGLE		LEFT	2060	NS2R1200x800LHCW	
1200 x 800 RECTANGLE		RIGHT	2060	NS2R1200x800RHCW	
FLAIR COLLECTION	DOOR DESCRIPTION	CODE SILVER	CODE MATTE BLACK	CODE BRUSHED BRASS	
HYDRO EXPRESS REQUIRES SIDE PANEL	SLIDER 1200 FRAMELESS SIDE PANEL	HYS120SC HYP80SC	- -	-	
VERVE PRO REQUIRES SIDE PANEL	SLIDER 1200 FRAMELESS SIDE PANEL	VSA120SC VSP80SC	VSA120BC VSP80BC	-	
VERVE PRO (LEFT) REQUIRES SIDE PANEL	LEVEL ACCESS SLIDER 1200 FRAMELESS SIDE PANEL	VSASS120LSC VSP80SC	- -	-	
VERVE PRO (RIGHT) REQUIRES SIDE PANEL	LEVEL ACCESS SLIDER 1200 FRAMELESS SIDE PANEL	VSASS120RSC VSP80SC	- -	-	
VERVE PRO REQUIRES SIDE PANEL	3 PANEL SLIDER 1200 FRAMELESS SIDE PANEL	V3SA120SC VSP80SC	- -	-	
SLIMLINE CAPELLA REQUIRES SIDE PANEL	SLIDER 1200 FRAMELESS SIDE PANEL	STSA120SC STSP80SC	- -	-	
SLIMLINE CAPELLA	CORNER ENTRY	STCE80x120SC	-	-	
ILI REQUIRES SIDE PANEL	SLIDER 1200 FRAMELESS SIDE PANEL	ILISA120SC ILSP80SC	ILISA120BC ILSP80BC	ILISA120BRBC ILISP80BRBC	

NEPTUNE DESCRIPTION (mm)		HAND (mm)	HEIGHT	CODE	
1200 x 900 RECTANGLE		LEFT	2080	NS2R1200x900LHCW	
1200 x 900 RECTANGLE		RIGHT	2080	NS2R1200x900RHCW	
FLAIR COLLECTION	DOOR DESCRIPTION	CODE SILVER	CODE MATTE BLACK	CODE BRUSHED BRASS	
HYDRO EXPRESS REQUIRES SIDE PANEL	SLIDER 1200 FRAMELESS SIDE PANEL	HYS120SC HYP90SC	- -	-	
VERVE PRO REQUIRES SIDE PANEL	SLIDER 1200 FRAMELESS SIDE PANEL	VSA120SC VSP90SC	VSA120BC VSP90BC	-	
VERVE PRO (LEFT) REQUIRES SIDE PANEL	LEVEL ACCESS SLIDER 1200 FRAMELESS SIDE PANEL	VSASS120LSC VSP90SC	- -	-	
VERVE PRO (RIGHT) REQUIRES SIDE PANEL	LEVEL ACCESS SLIDER 1200 FRAMELESS SIDE PANEL	VSASS120RSC VSP90SC	- -	-	
VERVE PRO REQUIRES SIDE PANEL	3 PANEL SLIDER 1200 FRAMELESS SIDE PANEL	V3SA120SC VSP90SC	- -	-	
SLIMLINE CAPELLA REQUIRES SIDE PANEL	SLIDER 1200 FRAMELESS SIDE PANEL	STSA120SC STSP90SC	- -	-	
SLIMLINE CAPELLA	CORNER ENTRY	STCE90x120SC	-	-	
ILI REQUIRES SIDE PANEL	SLIDER 1200 FRAMELESS SIDE PANEL	ILISA120SC ILSP90SC	ILISA120BC ILSP90BC	ILISA120BRBC ILISP90BRBC	

Shower doors are sold and priced separately to Neptune Pods.
90mm high flow Chrome waste included as standard with all pods. See page 25 for alternative colours.

NEPTUNE & FLAIR - PRODUCT LISTINGS

NEPTUNE - ALCOVE PODS

NEPTUNE DESCRIPTION (mm)	HEIGHT (mm)	CODE		
800 x 800 3 SIDED ALCOVE	2145	NS3ALC800x800CW		
FLAIR COLLECTION	DESCRIPTION	CODE SILVER	CODE MATTE BLACK	CODE BRUSHED BRASS
HYDRO EXPRESS	PIVOT 760	HYPD76SC	-	-
VERVE PRO	PIVOT 760	VPD76SC	-	-
VERVE PRO	BIFOLD 760	VBF76SC	-	-
SLIMLINE CAPELLA	PIVOT 800	STPD80SC	-	-
SLIMLINE CAPELLA	BIFOLD 800	STBF80SC	-	-
ILI	BIFOLD 760	ILBF76SC	ILBF76BC	-
ILI	HINGE 760	LIHD76SC	LIHD76BC	-

NEPTUNE DESCRIPTION (mm)	HEIGHT (mm)	CODE		
900 x 900 3 SIDED ALCOVE	2070	NS3ALC900x900CW		
FLAIR COLLECTION	DESCRIPTION	CODE SILVER	CODE MATTE BLACK	CODE BRUSHED BRASS
SLIMLINE CAPELLA	PIVOT 900	STPD90SC	-	-
SLIMLINE CAPELLA	BIFOLD 900	STBF90SC	-	-
ILI	BIFOLD 850	ILBF85SC	-	-
ILI	HINGE 850	LIHD85SC	LIHD85BC	-

NEPTUNE DESCRIPTION (mm)	HEIGHT (mm)	CODE		
1000 x 800 3 SIDED ALCOVE	2065	NS3ALC1000x800CW		
FLAIR COLLECTION	DESCRIPTION	CODE SILVER	CODE MATTE BLACK	CODE BRUSHED BRASS
SLIMLINE CAPELLA	PIVOT 1000	STPD100SC	-	-
SLIMLINE CAPELLA	BIFOLD 1000	STBF100SC	-	-
SLIMLINE CAPELLA	SLIDER 1000	STSA100SC	-	-

NEPTUNE DESCRIPTION (mm)	HEIGHT (mm)	CODE		
1200 x 800 3 SIDED ALCOVE	2085	NS3ALC1200x800CW		
FLAIR COLLECTION	DESCRIPTION	CODE SILVER	CODE MATTE BLACK	CODE BRUSHED BRASS
SLIMLINE CAPELLA	PIVOT 1200	STPD120SC	-	-
SLIMLINE CAPELLA	BIFOLD 1200	STBF120SC	-	-
SLIMLINE CAPELLA	SLIDER 1200	STSA120SC	-	-

Shower doors are sold and priced separately to Neptune Pods.
90mm high flow Chrome waste included as standard with all pods. See page 25 for alternative colours.

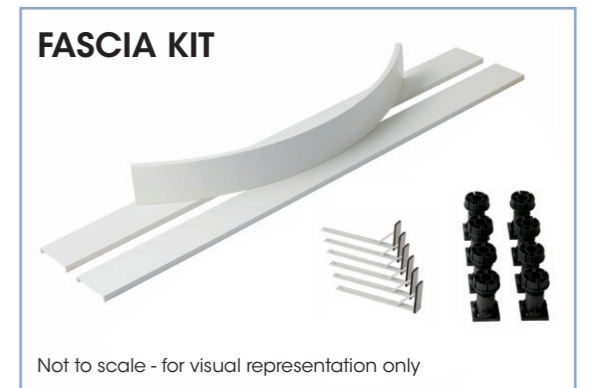
ACCESSORIES & LEAD TIMES

NEPTUNE - ACCESSORIES

NEPTUNE DESCRIPTION	CODE
QUADRANT & OFFSET QUADRANT FASCIA KIT	NEPFASKITQ
SQUARE & RECTANGLE FASCIA KIT	NEPFASKITSQ/REC
ALCOVE FASCIA KIT	NEPFASKITALC
QUICK FLOW WASTE CHROME	NSQFWFH90mm
QUICK FLOW WASTE MATTE BLACK	ST90MB10-70
QUICK FLOW WASTE WHITE	ST90WH10-70
EASY PLUMB LEG KIT AND FASCIA WHITE	NFASCIA&LEGKIT
NEPTUNE REPAIR KIT WHITE (INC. GEL COAT, CATALYST & INSTRUCTIONS)	NSREPKIT



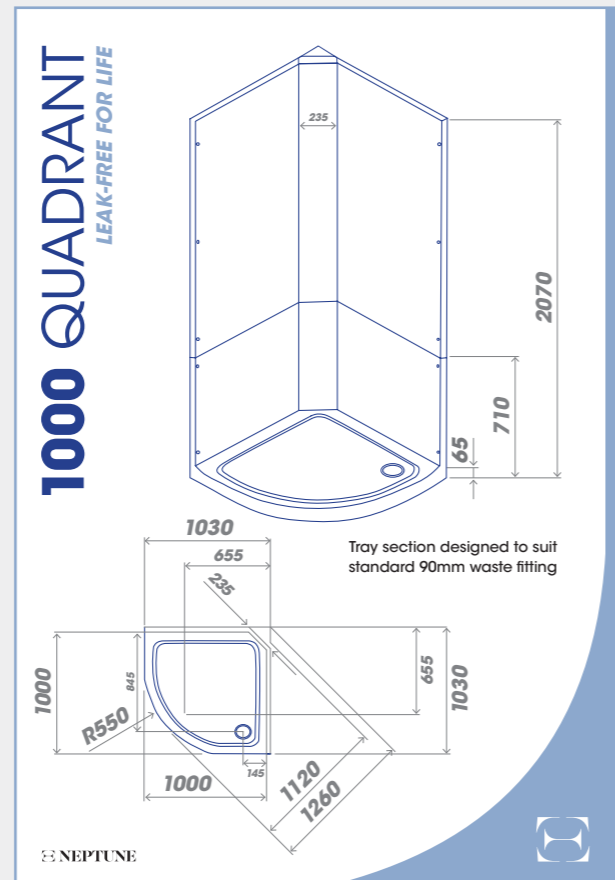
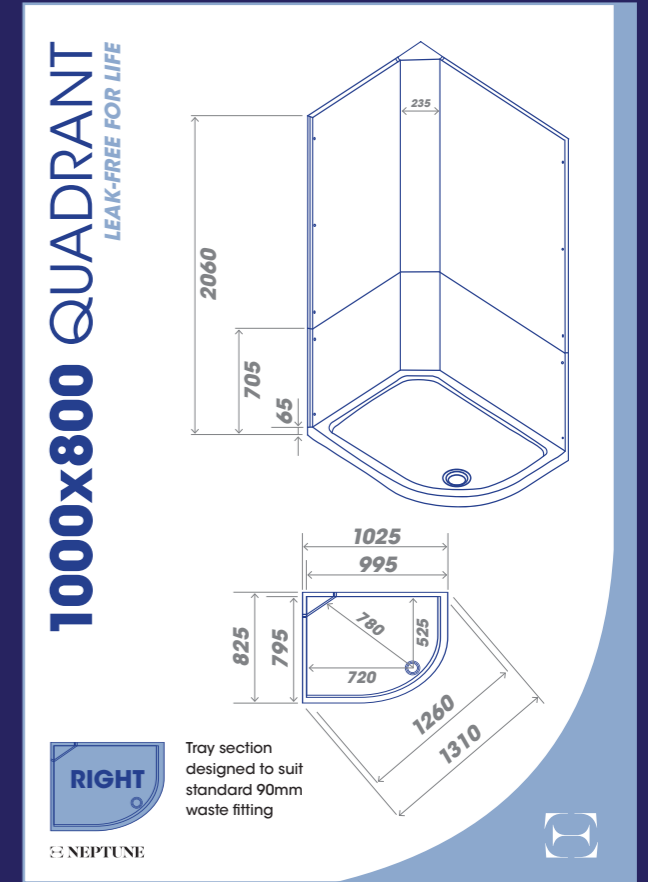
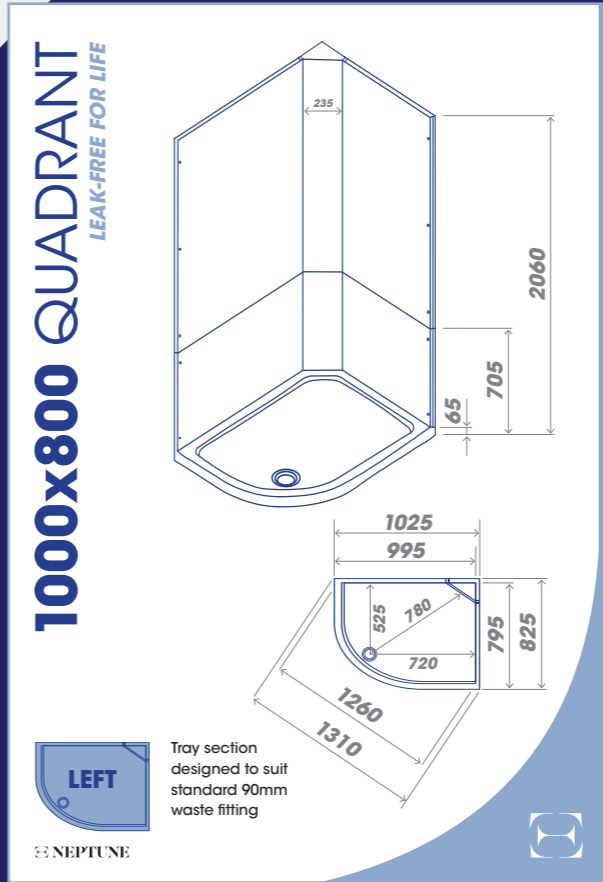
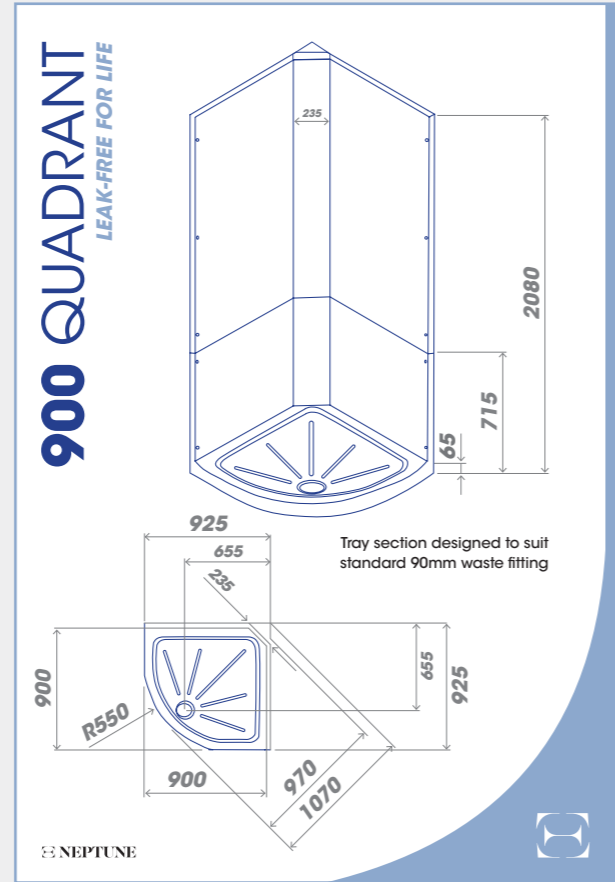
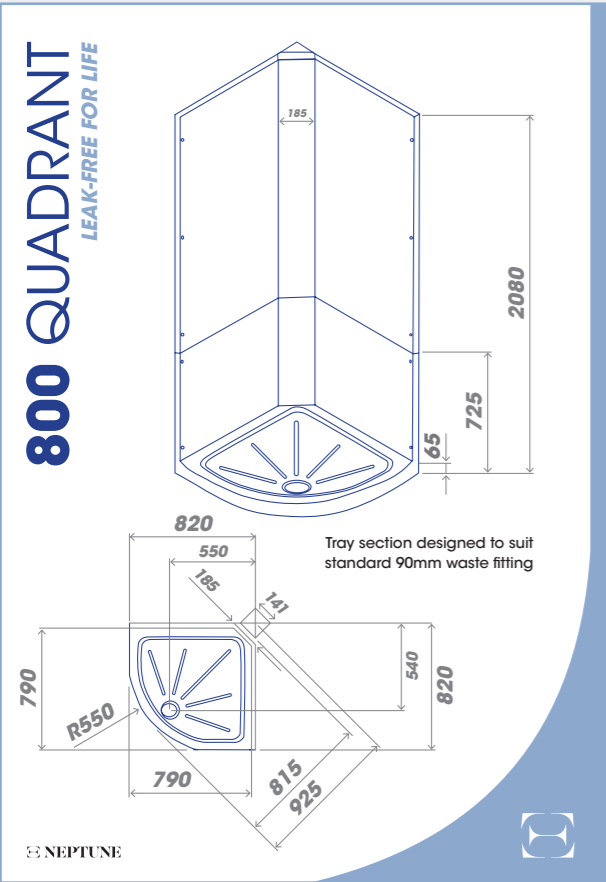
Neptune Pod shown with SLIMLINE CAPELLA Slider Door 1200 in Silver - CODE: STSA120SC



NEPTUNE POD - LEAD TIMES

NEPTUNE DESCRIPTION	Lead Time
800 x 800mm Quadrants	5 - 7 Days
900 x 900mm Quadrants	5 - 7 Days
1000 x 1000mm Quadrants	5 - 7 Days
1000 x 800mm Offset Quadrants (Left & Right Hand)	5 - 7 Days
Square Corner 800 x 800mm	5 - 7 Days
Rectangle Corner 1200 x 800mm (Left & Right Hand)	5 - 7 Days
All Other Pods	11 - 14 Days

QUADRANT SPECIFICATIONS



1200x800 QUADRANT

LEAK-FREE FOR LIFE

Tray section designed to suit standard 90mm waste fitting

LEFT

NEPTUNE

Dimensions: 2100 (height), 745 (width), 65 (offset), 250 (top width), 1230 (top width), 1190 (inner top width), 230 (top offset), 565 (radius), 960 (width), 800 (width), 830 (width).

1200x800 QUADRANT

LEAK-FREE FOR LIFE

Tray section designed to suit standard 90mm waste fitting

RIGHT

NEPTUNE

Dimensions: 2100 (height), 745 (width), 65 (offset), 250 (top width), 1230 (top width), 1190 (inner top width), 230 (top offset), 565 (radius), 960 (width), 830 (width), 800 (width).

1200x900 QUADRANT

LEAK-FREE FOR LIFE

Tray section designed to suit standard 90mm waste fitting

LEFT

NEPTUNE

Dimensions: 2065 (height), 700 (width), 65 (offset), 230 (top width), 1225 (top width), 1195 (inner top width), 230 (top offset), 605 (radius), 910 (width), 895 (width), 925 (width), R550 (radius).

1200x900 QUADRANT

LEAK-FREE FOR LIFE

Tray section designed to suit standard 90mm waste fitting

RIGHT

NEPTUNE

Dimensions: 2065 (height), 700 (width), 65 (offset), 230 (top width), 1225 (top width), 1195 (inner top width), 230 (top offset), 605 (radius), 910 (width), 895 (width), 925 (width), R550 (radius).

800 SQUARE

LEAK-FREE FOR LIFE

Tray section designed to suit standard 90mm waste fitting

LEFT

NEPTUNE

Dimensions: 2100 (height), 710 (width), 60 (offset), 220 (top width), 820 (top width), 620 (inner top width), 220 (top offset), 820 (width), 790 (width), 620 (width), 1055 (width), 1065 (width).

900 SQUARE

LEAK-FREE FOR LIFE

Tray section designed to suit standard 90mm waste fitting

RIGHT

NEPTUNE

Dimensions: 2160 (height), 710 (width), 60 (offset), 230 (top width), 920 (top width), 725 (inner top width), 230 (top offset), 920 (width), 900 (width), 725 (width), 1285 (width).

1200x800 RECTANGLE

LEAK-FREE FOR LIFE

Tray section designed to suit standard 90mm waste fitting

LEFT

NEPTUNE

Dimensions: 2060 (height), 710 (width), 60 (offset), 235 (top width), 1230 (top width), 1205 (inner top width), 1230 (width), 1230 (width), 805 (width), 830 (width), 1445 (width), 1470 (width).

1200x800 RECTANGLE

LEAK-FREE FOR LIFE

Tray section designed to suit standard 90mm waste fitting

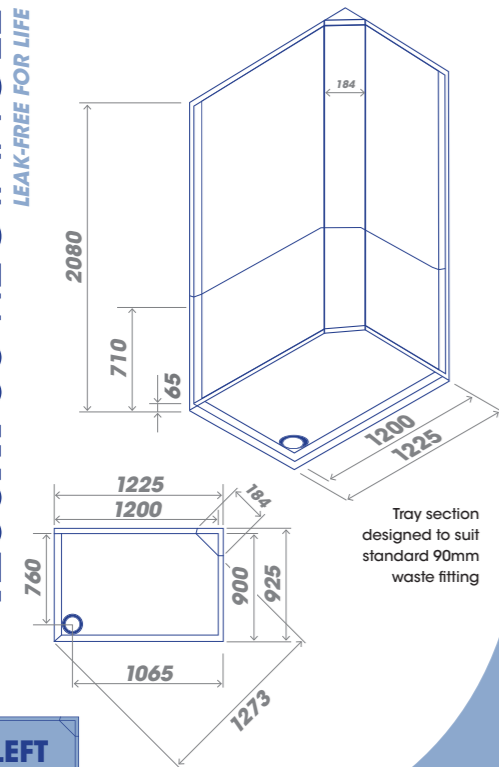
RIGHT

NEPTUNE

Dimensions: 2060 (height), 710 (width), 60 (offset), 235 (top width), 1230 (top width), 1205 (inner top width), 1230 (width), 1230 (width), 830 (width), 805 (width), 1445 (width), 1470 (width).

RECTANGLE SPECIFICATIONS

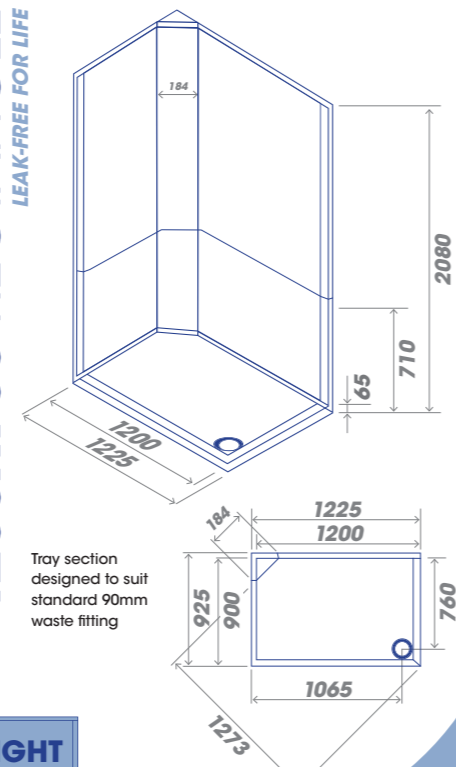
1200x900 RECTANGLE



LEFT

NEPTUNE

1200x900 RECTANGLE



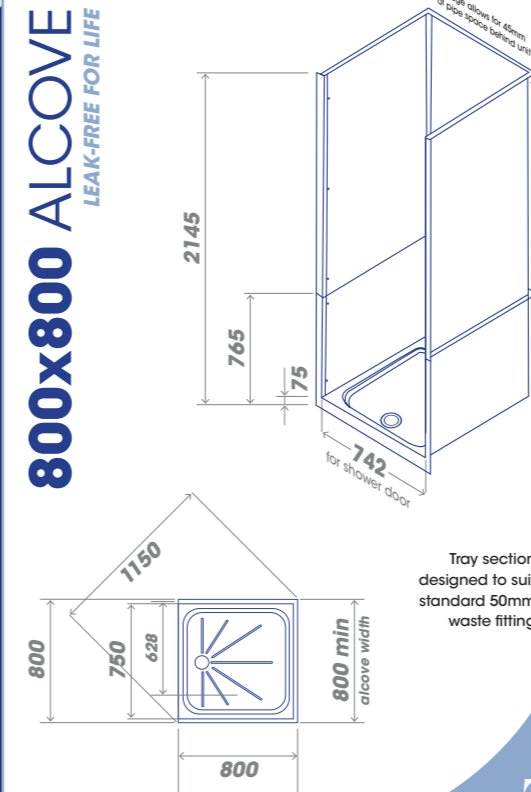
RIGHT

NEPTUNE



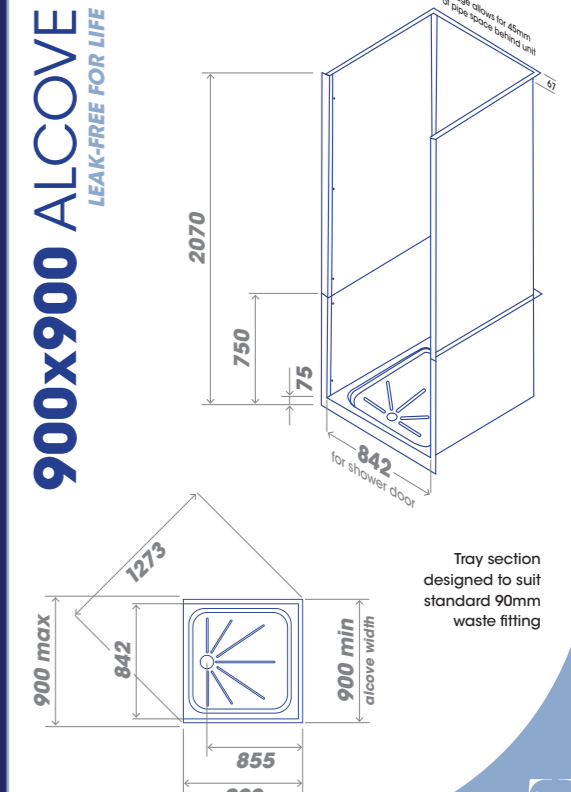
ALCOVE SPECIFICATIONS

800x800 ALCOVE



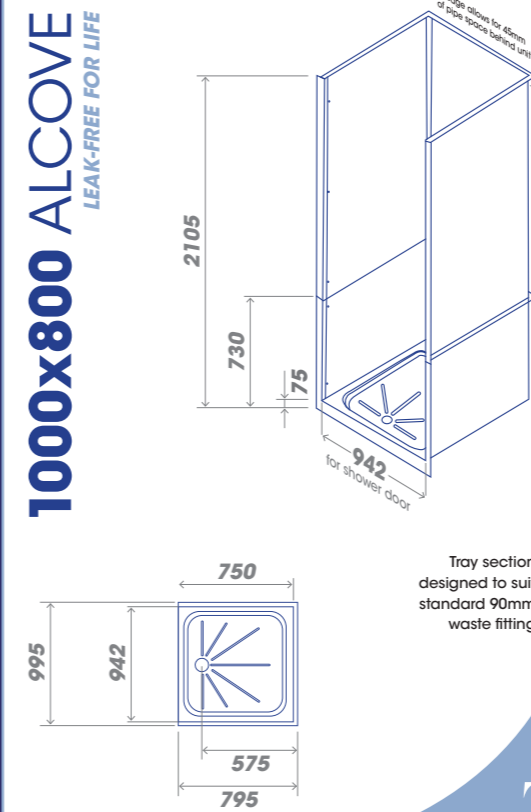
NEPTUNE

900x900 ALCOVE



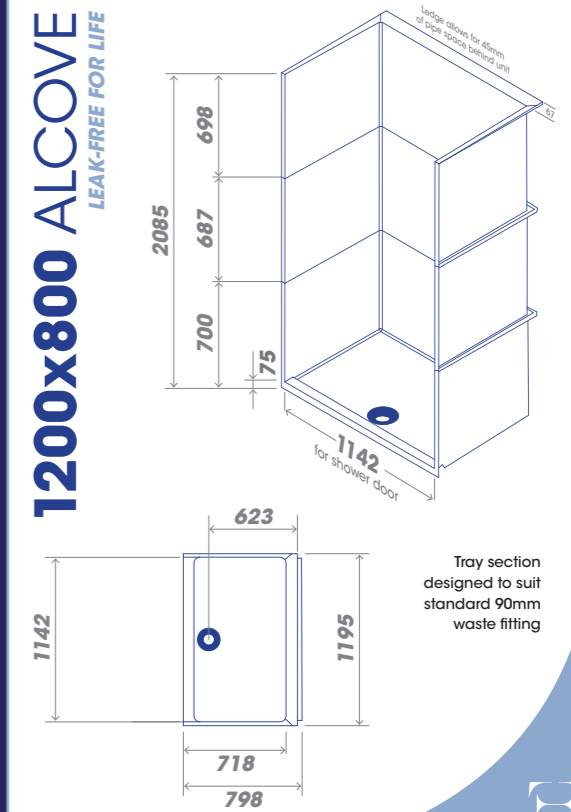
NEPTUNE

1000x800 ALCOVE



NEPTUNE

1200x800 ALCOVE



NEPTUNE



WHAT ARE NEPTUNE SHOWER PODS?

LEAK-FREE GUARANTEE

Neptune shower pods guarantee a Leak-Free shower experience, providing unmatched water protection and showering with absolute peace of mind.

PROBLEM-SOLVING INNOVATION

Our pods are designed to solve water issues effortlessly, setting a new standard in the industry for leak-free performance.

EFFORTLESS INSTALLATION

Enjoy easy to install Neptune Leak-Free Shower Pods, saving valuable time and effort. The pods can be assembled and fully operational within a few hours. They require no grout or mastic, ensuring a leak-free and maintenance-free showering experience.

DURABLE CONSTRUCTION

Built to last, Neptune pods boast superior durability, ensuring long-lasting performance and reliability in your bathroom.

LEAK-FREE FOR LIFE

FREQUENTLY ASKED QUESTIONS

WHAT IS IT MADE OF?

The unit is very strong, made with a 4 layer construction with 2mm of Marine grade Gel coat on the surface, 6mm of GRP (Fibreglass) behind that, 18mm of Marine ply behind that; and a coating of GRP to encapsulate everything and make it completely impervious to moisture.

WHAT KIND OF ACRYLIC IS USED?

We use an Isophthalic gel coat. This is anti-bacterial, easy clean, very durable and long-lasting. We use an Isophthalic gel coat. This is anti-bacterial, easy clean, very durable and long-lasting.

GENERAL INFORMATION

TECHNICAL DRAWINGS & INSTALLATION GUIDES

Our technical drawings and installation guides are available to download from our website. We recommend installation is carried out only once the relevant guide has been read and understood by the installer. Please note all dimensions in this brochure are shown in millimetres unless otherwise stated. They are intended as a guide only and may be subject to a degree of inaccuracy.

SHOWER POD INSTALLATION ADVICE

BEFORE YOU INSTALL YOUR SHOWER POD PLEASE READ ALL INSTRUCTIONS. FAILURE TO DO SO MAY LEAD TO INVALIDATION OF YOUR GUARANTEE.

Neptune Showers Ltd and Flair Showers Ltd will not accept responsibility for any loss or damage, however caused, if the shower pod or enclosure has not been installed as per the instructions.

- Inspect your shower pod before installation. Check for all visual defects. Any defects or damages must be reported before any installation work takes place. Failing to do this is acceptance of sale conditions.
- Check walls for electrical cabling or water pipes before drilling.
- Care must be taken during assembly. Neptune Showers Ltd and Flair Showers Ltd will not accept responsibility where incorrect assembly results in undue stress being put on any components in this product.
- If there are any manufacturer defects, please call Neptune Showers on +353 01 825 0840.

Note: If a problem has been caused by incorrect installation, a call-out charge will apply for the technical engineer's time. Subsequent charges will apply if it is possible "to fix" a problem caused by incorrect installation.

PRODUCT GUARANTEE

Neptune Shower pods have a manufacturer defect guarantee of 10 years once installation has been carried out in accordance with the fitting instructions. This guarantee does not cover reasonable wear and tear or damage caused by misuse or accidental damage. The guarantee does not cover damage caused by cleaning products.

Note: Proof of purchase is necessary to confirm your guarantee.

CLEANING GUIDELINES

Use a soft cloth and mild detergent, rinse off thoroughly. Do not use "Spray & leave" cleaning products on the surface as these will cause damage to your product. These include acidic based cleaning products, bleaches, solvents or abrasive pads. Only use detergents, cleaners and limescale removers with a pH of 5-8. The constant use of detergents will degrade the finish of the product over time if not thoroughly rinsed off.

RETURN POLICY

Neptune Showers and Flair Showers will not accept return of any product that has been opened. We do not accept return of any product if the packaging has been damaged. If the product is unopened and not damaged, we will accept the return of the product but a handling fee of €150/£150 will be charged but we reserve the right to review courier costs depending on the location of the pod to be returned.

CONDITIONS OF SALE

Unless otherwise stated, all price quotations are subject to acceptance within 30 days of date of issue. As part of our continuing policy of product improvement, we reserve the right to amend specifications, colours and prices without prior notice. Images are for illustrative purposes only. The colours and finishes shown in the catalogue are as accurate as possible within the limits of the printing process.

The positioning of all shower heads and shower wastes in the brochure is for illustrative purposes only.

*Errors and Omissions Exempt.

BROCHURE INFORMATION

All information contained in this brochure is accurate at the time of going to press. Neptune Showers products are sold by Flair Showers Ireland Ltd who reserve the right to introduce changes and modifications without prior notice. Please note that prices inclusive of VAT are correct at the current rate at time of printing. Whilst every attempt has been made to select images that accurately portray our products, variations in colour and style cannot be avoided. Further variations may also be caused by inconsistency in colour, reproduction and print.

WEBSITE INFORMATION

Full details of all our products and their technical specifications can be found on our website, www.neptuneleakfree.com. We endeavour to regularly keep this updated including details of where to buy our products, copies of our latest brochures and installation details.

CONTACT & CUSTOMER SERVICE

In case of accidental damage, a repair kit is available for your showering pod. For all enquiries contact our customer service team:

Neptune Showers, Rocks Road, Kingscourt, Co. Cavan. Ireland.

T. +353 01 825 0840
E. sales@neptuneleakfree.com

*Errors and Omissions Exempt.



LEAK-FREE MAINTENANCE-FREE SHOWER PODS

STERLING - OCTOBER 2024



NEPTUNE

Rocks Road
Kingscourt,
Co. Cavan
Ireland
+353 01 825 0840

sales@neptuneleakfree.com



**SCAN FOR
TECHNICAL &
SPECIFICATION
SHEETS**

NEPTUNELEAKFREE.COM